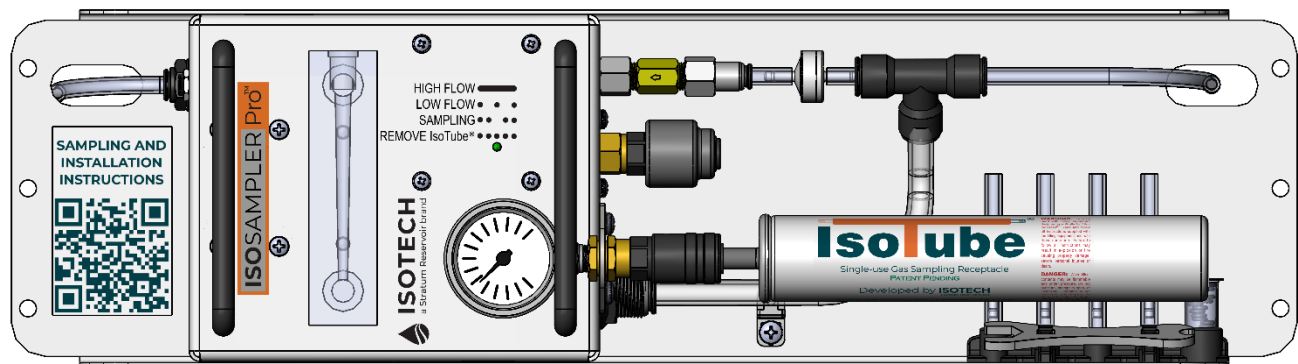


Collection of mudgas samples with the single-valve IsoTube® and the IsoSampler Pro™

Note: IsoTubes are not suitable for collecting gases containing hydrogen sulfide (H₂S, sour gas)

The IsoSampler Pro has two pump output settings. **Make sure you have selected the correct pump output setting for your gas flow rate prior to taking a sample, or your samples may be compromised.** The default setting is High Flow which is for sample gas flow rates greater than 300 mL/min. If sample gas flow rate is 140 to 300 mL/min then Low Flow is required. See Specifications and Installation Guide for instructions on changing flow. Scan the QR code on the IsoSampler Pro for more information about the setup and configuration of the IsoSampler Pro.

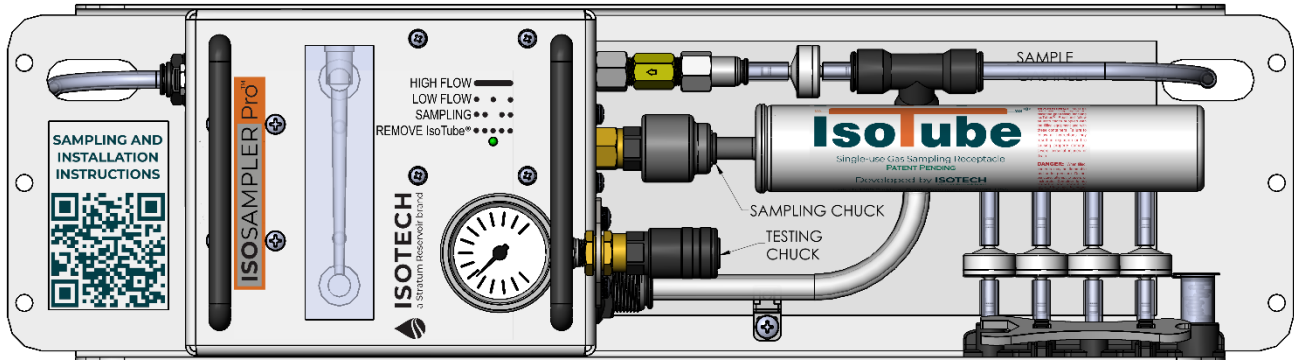
Step 1 - Checking an evacuated IsoTube



- Remove a new IsoTube from the plastic film and connect the IsoTube to the gauge by pressing the valve stem into the Testing Chuck until it clicks into place.
- The vacuum reading should be between 25 and 30 inHg. **If the reading is not at least 25 inHg of vacuum, do not use the IsoTube. Open another IsoTube and check vacuum to confirm the tube is suitable for use.**
- Once the vacuum level is confirmed, remove the IsoTube from the gauge by pulling back the outer sleeve of the Testing Chuck until the IsoTube is released.

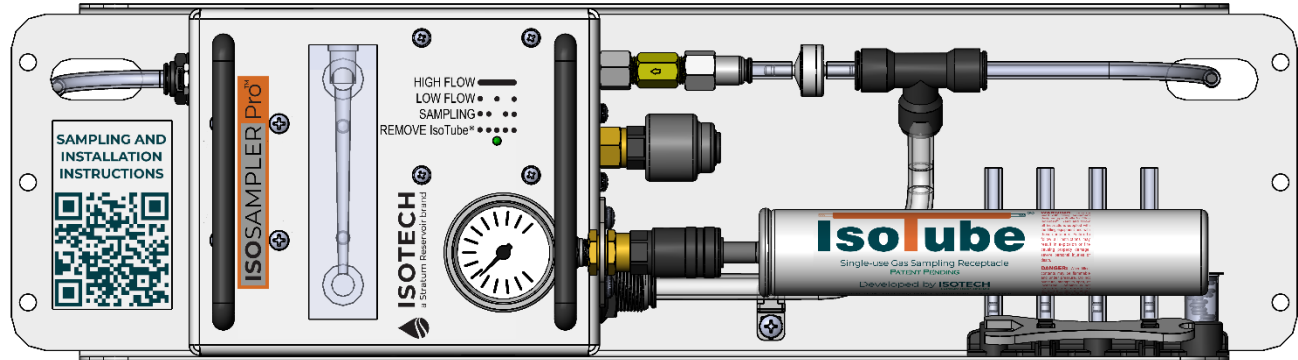
Note: if the equipment is located at altitude, the gauge will read slightly negative before the IsoTube is connected.

Step 2 - Collecting a sample



- **Sampling will begin immediately when an IsoTube is connected to the Sampling Chuck.** Do not start this process until a sample is ready to be collected.
- Connect the IsoTube to the sample port by pressing the IsoTube into the quick-connect Sampling Chuck until it clicks into place.
- The indicator LED will double flash during the sampling process.
 - If the device is configured for high flow sampling, the pump will turn on immediately. The filling process will take approximately 40 seconds.
 - If the device is configured for low flow sampling, the pump will begin a process of cycling on and off to fill the IsoTube. The filling process will take approximately 70 seconds.
- Once the process has been completed, the indicator LED will begin to fast flash, indicating you may now remove the IsoTube. Immediately remove the IsoTube from the sampling chuck by pulling back the outer sleeve of the chuck until the IsoTube is released. Failure to immediately remove the IsoTube may result in sample loss.
- **Use the gauge to take a reading immediately after collecting a sample in the IsoTube. Record the data for the sample and apply a label to the IsoTube. (See Steps 3 and 4 below).**

Step 3 – Using the gauge to take a reading of the filled IsoTube®



- Connect the IsoTube to the gauge by pressing the IsoTube into the quick-connect Testing Chuck until it clicks into place.
- The gauge should read between 4 and 10 psig.
 - If gauge reads 0 psi, repeat the sample collection process.
 - If multiple samples in a row fail to show a reading above 0 psi, troubleshooting may be required.
- Once the IsoTube is checked, remove the IsoTube from the gauge by pulling back the outer sleeve of the Testing Chuck until the IsoTube is released.

Step 4 – Labeling the IsoTubes

Attach this label to INSIDE flap of box	<i>AJAX OIL CO / BIG RIG</i>
	<small>COMPANY or RIG</small>
	<i>OCS-G-12345 ST #2</i>
	<small>FIELD or WELL</small>

<i>10,000 FT</i>	
<small>Depth or Sample ID</small>	
<i>130 GU</i>	<i>8 PSI</i>
<small>Gas Units</small>	<small>Pressure</small>
<i>01/Jan/2024 14:30</i>	<i>DDC</i>

- There are adhesive backed labels included with each box of IsoTubes. Fill in the labels using a ballpoint pen and **press hard** as duplicate copies are being made.
- The first label on each sheet (*above left*) provides space for identification of the company, rig and well. This first label should be placed on the inside flap of the box.
- Complete one of the individual sample information labels (*above right*) for each IsoTube sample. Remove the completed label from the backing sheet and attach it to the IsoTube in the indicated area immediately after the sample is collected.
- Place a cap over the valve on the IsoTube.
- Return the IsoTube to the shipping box.
- When a box of 25 IsoTubes is full, check to see that all caps have been attached.
- Remove the yellow copy of the sample identification tags and keep it for your records. The white copy should be put back in the box with the IsoTube samples.

Step 5 – Shipping IsoTubes

- The necessary warning labels and shipping instructions are included in each box.
- For information about shipping IsoTubes go to:

https://www.isotechlabs.com/customersupport/shippingguidelines/IsoTubeSP_UN2037.pdf

